

DOUTEC[®]
POWER

Germany Brand, More Reliable

for Bolts&Nuts



 Professional torque tools
for bolt tightening & loosening

NO.DTC-W1009E

Company Profile

DOUtec Co. was initially a pure technical corporation, who worked as consultant for bolt tools factories to solve technical problems, offered special solutions to big projects and provided products testing, site debugging, as well as after-sale service for these factories. Thus it gained rich actual experiences on solutions to big bolts tightening & loosening. Depending on such experiences, DOUtec is no longer restricted on technical research, but also have developed a series of professional torque tools for bolts tightening & loosening with its trademark DOUtec. The products are light, durable, precise, easily operated. During these years, through the continuous effort of the excellent technical sales team, the products have been sold throughout the world. Besides, DOUtec can customize non-standard bolts tightening & loosening solutions.



Products' development & innovation:

DOUtec has set up a globally top-grade products developing center. This center combines the modern technology into high-top manufacturing crafts, and annually put most leading products into the market, making great contributions to the technical reform of heavy bolts tightening & loosening.

Products Range:

Digital Torque-Control Electric Wrench
No-impact Pneumatic Torque Wrench
Chargeable Digital Torque-Control Electric Wrench
Manual Force Multiplier
Torque Range:100N.m-12500N.m

Square Drive Hydraulic Wrench
Hollow Hydraulic Wrench
Hydraulic Torque Pump
Mechanical Backstop Wrench
Torque Range:600N.m-100000N.m



Products Application:

- Instruments manufacturing
- Petrochemical industry
- Chemical industry
- Civil engineering
- Paper making
- Wind power
- Thermal power
- Nuclear power
- Water power
- Shipbuilding
- Railway
- Metallurgy
- War industry
- Mine
- Petrol

Characteristic service:



- 24 hours after-sale service

Upon arrival of products, our professional technician will train operators for operation and maintenance, as well as advise them of attention matters and basic ways to tackle troubles. Every customer gets a technical specialist for 24 hours after-sale service.

- Spare items for replacement

If usual production is delayed because of our tools under repair, we try the best to offer replacements for emergency use in order to cut customer's loss at most.

- Free calibration

We provide professional calibration, testing & maintenance service, and offer test report as per customer's request. DOUtec products get free calibration service once annually.

- Lifetime free carbon brush

All DOUtec electric torque wrenches can get lifetime free carbon brush.



▲ Digital display & buttons

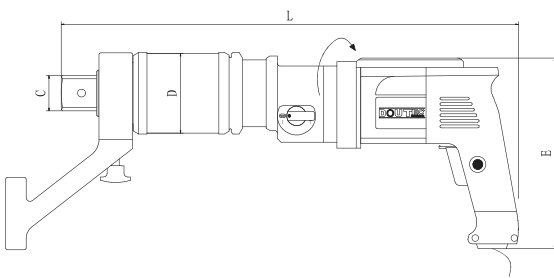
No need to refer to "torque table" .



Bolts loosening requires higher torque, thus 50% reserved torque is necessary for such application.

Digital Torque-Control Electric Wrench(straight type)

- Power supply: 220-230V 50Hz;
- Continuous rotation without impact, much more efficient than hydraulic wrench;
- Intelligent torque control system,with fault self-checking function and power-off memory function;
- Torque precision: $\pm 4\%$,repeatability: $\pm 1\%$,double speed design, high/low speed can be shifted freely;
- Two ways of torque setting:
 - Set the torque manually
 - System recommends torque as per bolt parameters;
- Human-computer interface. Torque value is shown directly on LCD display. Torque table is not needed;
- Electronic system against over-tighten and the clutch against overload, they can protect driving components effectively;
- Intelligent motor-speed control system, it makes the using life of carbon-brush 5-10 times longer than other brand wrenches.



| Model | Min.torque (Nm) | Max.torque (Nm) | Square C | D (mm) | L (mm) | E (mm) | Weight (kg) |
|-----------|-----------------|-----------------|----------|--------|--------|--------|-------------|
| DTE-62S | 120 | 620 | 3/4 " | 88 | 430 | 210 | 6.4 |
| DTE-85S | 150 | 850 | 3/4 " | 88 | 430 | 210 | 6.8 |
| DTE-125S | 250 | 1250 | 1 " | 88 | 438 | 210 | 6.8 |
| DTE-255S | 350 | 2550 | 1 " | 88 | 485 | 210 | 8.5 |
| DTE-390S | 500 | 3900 | 1-1/2 " | 88 | 495 | 210 | 9.1 |
| DTE-500S | 800 | 5000 | 1-1/2 " | 110 | 510 | 210 | 12.5 |
| DTE-620S | 1200 | 6200 | 1-1/2 " | 128 | 520 | 210 | 16.2 |
| DTE-820S | 1400 | 8200 | 1-1/2 " | 128 | 555 | 210 | 17.9 |
| DTE-1020S | 2000 | 10200 | 1-1/2 " | 128 | 555 | 210 | 18 |
| DTE-1250S | 2200 | 12500 | 1-1/2 " | 128 | 555 | 210 | 18.5 |

Standard reaction arm is made of steel.Pls add "A" after model No. for AL-TI alloy.



▲ Digital display & button



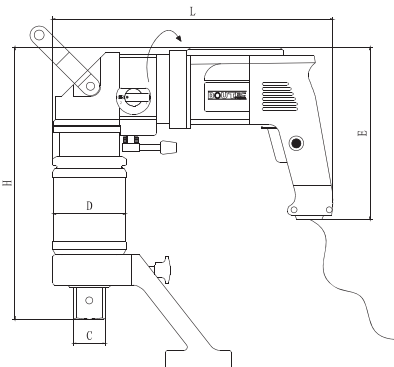
Digital Torque-Control Electric Wrench(angled type)

- Power supply: 220-230V 50Hz;
- The angled design is more suitable for narrow working space;
- Continuous rotation without impact, much more efficient than hydraulic wrench;
- Intelligent torque control system,with fault self-checking function and power-off memory function;
- Torque precision: $\pm 4\%$,repeatability: $\pm 1\%$,double speed design, high/low speed can be shifted freely;
- Two ways of torque setting:
 - Set the torque manually
 - System recommends torque as per bolt parameters;
- Human-computer interface. Torque value is shown directly on LCD display. Torque table is not needed;
- Electronic system against over-tighten and the clutch against overload, they can protect driving components effectively;
- Intelligent motor-speed control system, it makes the using life of carbon-brush 5-10 times longer than other brand wrenches.

Free opposite rotation, bring great convenience for the operation.

Angled type is equipped with brake and cutoff system.

All electric/pneumatic wrenches are equipped with high/low speed function.



Bolts loosening requires higher torque, thus 50% reserved torque is necessary for such application.



| Model | Min.torque (Nm) | Max.torque (Nm) | Square C | D (mm) | L (mm) | H (mm) | E (mm) | Weight (kg) |
|-----------|-----------------|-----------------|----------|--------|--------|--------|--------|-------------|
| DTE-62W | 120 | 620 | 3/4 " | 88 | 340 | 252 | 210 | 7.6 |
| DTE-85W | 150 | 850 | 3/4 " | 88 | 340 | 252 | 210 | 7.8 |
| DTE-125W | 250 | 1250 | 1 " | 88 | 340 | 259 | 210 | 8.0 |
| DTE-255W | 350 | 2550 | 1 " | 88 | 340 | 306 | 210 | 9.6 |
| DTE-390W | 500 | 3900 | 1-1/2 " | 88 | 340 | 316 | 210 | 10 |
| DTE-500W | 800 | 5000 | 1-1/2 " | 110 | 510 | 330 | 210 | 13.4 |
| DTE-620W | 1200 | 6200 | 1-1/2 " | 128 | 340 | 345 | 210 | 17 |
| DTE-820W | 1400 | 8200 | 1-1/2 " | 128 | 340 | 378 | 210 | 19 |
| DTE-1020W | 2000 | 10200 | 1-1/2 " | 128 | 340 | 378 | 210 | 19.2 |
| DTE-1250W | 2200 | 12500 | 1-1/2 " | 128 | 340 | 378 | 210 | 19.5 |

Standard reaction arm is made of steel.Pls add "A" after model No. for AL-TI alloy.

*Lifetime free carbon-brush



▼ Air register kit



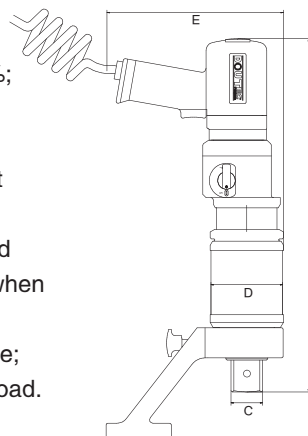
All pneumatic wrenches have this standard pneumatic accessory.

▼ ABS strong case



Noiseless Pneumatic Torque Wrench(straight type)

- 6bar compressed air,air consumption under max.power is: 580L/min;
- Powerful and low noise,less than 80DbA under max.power;
- Set and control torque by adjusting the pressure on air register;
- Accuracy: ± 5%, repeatability: ± 1%;
- Optional digital air register, torque precision:3%,repeatability: ± 1%;
- Compact planet design,small size,higher torque/weight ratio;
- 4-way type of power control system,large-span torque;
- 7-vane type high performance air motor, high efficiency,no impact torque can be continually output;
- Design of reverse pressure-bias motor provide the max.power and torque in reversing mode, satisfying the request of higher torque when loosening bolts;
- Positive/reverse button by single hand,switch valve of TOUCH type; Excellent performance of continuous running can meet high workload.



Compressed air releases quickly in air motor and takes a lot of heat, thus power units will never heat up under continuous high workload, even in hot summer.

| Model | Min.torque (Nm) | Max.torque (Nm) | Square C | D (mm) | L (mm) | E (mm) | Weight (kg) |
|-----------|-----------------|-----------------|----------|--------|--------|--------|-------------|
| DTA-88S | 120 | 880 | 1 " | 88 | 365 | 185 | 5.7 |
| DTA-138S | 180 | 1380 | 1 " | 88 | 365 | 185 | 6.0 |
| DTA-190S | 260 | 1900 | 1 " | 88 | 365 | 185 | 7.5 |
| DTA-250S | 390 | 2500 | 1 " | 88 | 365 | 185 | 7.8 |
| DTA-310S | 480 | 3100 | 1-1/2 " | 88 | 420 | 185 | 8.2 |
| DTA-360S | 520 | 3600 | 1-1/2 " | 88 | 420 | 185 | 8.4 |
| DTA-465S | 650 | 4650 | 1-1/2 " | 128 | 420 | 185 | 8.5 |
| DTA-600S | 920 | 6000 | 1-1/2 " | 128 | 450 | 185 | 15 |
| DTA-1050S | 1650 | 10500 | 1-1/2 " | 128 | 485 | 185 | 17.2 |
| DTA-1250S | 2000 | 12500 | 1-1/2 " | 130 | 495 | 185 | 18.5 |

* DTA series pneumatic wrenches includes:Air register,hose,quick coupling(air inlet connector of air register is excluded).



Noiseless Pneumatic Torque Wrench(angled type)

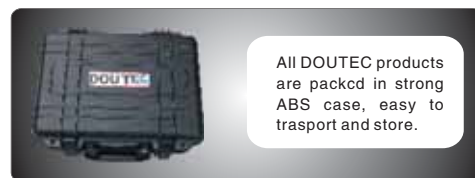
- 6bar compressed air, air consumption under max. power : 580L/min.
- More suitable for limited working space.
- Low noise motor , the noise is much lower.
- Torque precision: $\pm 5\%$, repeatability: $\pm 1\%$.
- Optional digital air register, torque precision: 3% , repeatability: $\pm 1\%$.
- Shift high/low speed mechanically , greatly promote working efficiency.
- Reaction arm of high strength ,anti-easily-broken, adjustable by 360-degree.
- Equipped with brake & cutoff system to protect the operator.
- New ergonomics-design handle, which is freely connected with drive units and can be rotated, improves operation convenience and comfort.



As the reverse torque of pneumatic wrench is much higher, 30% reserved torque is enough.

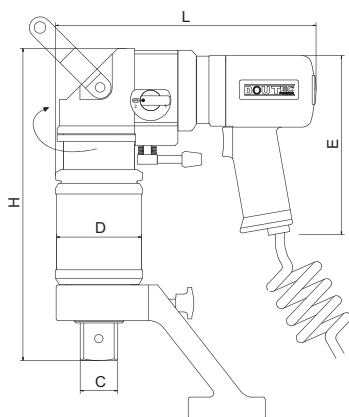


▲ Air Register



All DOUTEC products are packed in strong ABS case, easy to trasport and store.

▲ Packing



| Model | Min.torque (Nm) | Max.torque (Nm) | Square C | D (mm) | L (mm) | E (mm) | H (mm) | Weight (kg) |
|-----------|-----------------|-----------------|----------|--------|--------|--------|--------|-------------|
| DTA-88W | 120 | 880 | 1 " | 88 | 258 | 185 | 250 | 5.7 |
| DTA-138W | 180 | 1380 | 1 " | 88 | 258 | 185 | 250 | 7.8 |
| DTA-190W | 260 | 1900 | 1 " | 88 | 258 | 185 | 250 | 6.0 |
| DTA-250W | 390 | 2500 | 1 " | 88 | 258 | 185 | 315 | 7.2 |
| DTA-310W | 480 | 3100 | 1-1/2 " | 88 | 258 | 185 | 315 | 8.2 |
| DTA-360W | 520 | 3600 | 1-1/2 " | 88 | 258 | 185 | 315 | 8.4 |
| DTA-465W | 650 | 4650 | 1-1/2 " | 128 | 258 | 185 | 315 | 8.5 |
| DTA-600W | 920 | 6000 | 1-1/2 " | 128 | 258 | 185 | 345 | 15 |
| DTA-1050W | 1650 | 10500 | 1-1/2 " | 128 | 258 | 185 | 375 | 17.2 |
| DTA-1250W | 2000 | 12500 | 1-1/2 " | 130 | 258 | 185 | 375 | 18.5 |

* DTA series pneumatic wrenches includes: air register, hose, quick coupling(air inlet connector of air register is excluded).

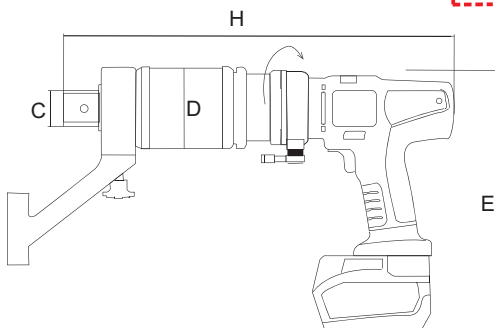


Large Power Chargeable Electric Wrenches

- Ultra-powerful battery is 2 times of common battery;
- Chargeable design makes operation more convenient;
- Digital setting display control function;
- Tightening/loosing repeatability is less than 3%;
- Quick charge function, charging time less than 60 minutes;
- Equipped with latest digital torque control system to ensure the accuracy of setted torque;
- ABS strong case, easy to transport and store;
- Standard set includes two pcs of 28V super-powerful Li battery.



No need to refer to "torque table" .



| Model | Min.torque (Nm) | Max.torque (Nm) | Square C | D (mm) | No-load swivel speed | E (mm) | H (mm) | Weight (kg) |
|-----------|-----------------|-----------------|----------|--------|----------------------|--------|--------|-------------|
| DTEC-125S | 150 | 1250 | 1 " | 88 | 14 | 280 | 358 | 6 |
| DTEC-250S | 250 | 2500 | 1 " | 88 | 7 | 280 | 405 | 6.5 |
| DTEC-350S | 350 | 3500 | 1-1/2 " | 88 | 5 | 280 | 415 | 7.2 |



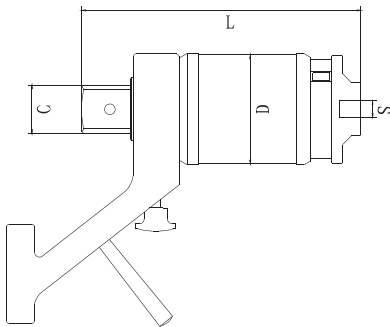
▼ Packing



All DOU TEC products are packed in strong ABS case, easy to transport and store.

Manual Force Multiplier

- Suitable for the occasions where it requests for high torque but power supply or space is limited;
- Torque increasing system of precise planetary gears, accuracy: $\pm 5\%$;
- All models are equipped with anti-returning device, to improve operation convenience and security;
- Assisted with manual torque wrench, to easily realize precise assembly of bolts/nuts;
- Easily switch clockwise to anti-clockwise direction by the reversing bar and buttons.



Do not drive mechanical force multiplier by impact power tools. It may destroy the drive system. It is advised to be assisted with manual torque tools.



| Model | Max.torque (Nm) | Reducing Ratio | Input Square S | Square Drive C | D (mm) | L (mm) | Weight (kg) |
|--------|-----------------|----------------|----------------|----------------|----------|----------|-------------|
| MD-08 | 800 | 1:4 | 1/2 " | 3/4 " | 88 | 156 | 3.6 |
| MD-12 | 1200 | 1:4 | 3/4 " | 1 " | 88 | 163 | 3.7 |
| MD-32 | 3200 | 1:16 | 1/2 " | 1 " | 88 | 210 | 5.5 |
| MD-42 | 4200 | 1:16 | 3/4 " | 1-1/2 " | 88 | 220 | 6.1 |
| MD-62 | 6200 | 1:22 | 1/2 " | 1-1/2 " | 129 | 248 | 12.4 |
| MD-100 | 10000 | 1:61 | 1/2 " | 1-1/2 " | 129 | 281 | 15.5 |
| MD-120 | 12000 | 1:60 | 1/2 " | 1-1/2 " | 129 | 281 | 15.5 |

■ Non-Standard

We can make special reaction arm & non-standard socket as per different occasion.





Square Drive Hydraulic Wrench

- Max Working Pressure:700bar;
- Compact design. The raw material is TITAL-919 alloy, a high strength and ultra-light space material with the strength and toughness of the fuselage significantly strengthened;
- 360° swivel hose coupler. Completely free of space restriction;
- The trigger style lock needs only slight pressure to operate, and you may situate the reaction arm of 360° trimming style on the support as required;
- A precise ratchet is adopted with 3% accuracy;
- Max torque up to 100000N.m(Customrized).

Dust cap of main axle bolt, make dissembling and maintenance easy.

Unique design, lubricating oil port, no disassembling needed, easy for maintenance.

Button to enable quick release of the drive shaft, making operation easier and simpler.

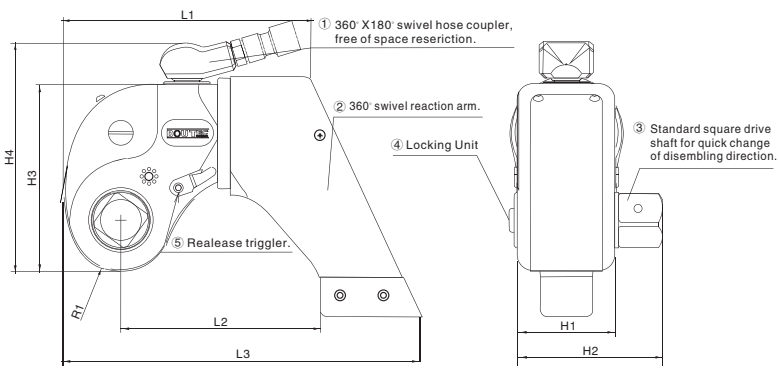
The 360° swivel hose and spring quick coupler, more reliable, no space restriction, much easier to operate.

Back turning proof, lock the bolt while tightening, this design can help release the wrench much easier.

Portable operation handle, adjustable by 360° freely, more convenient to operate.



We can offer square drives and reaction arms to different specifications. In order to choose the correct model, please contact a DOUTEC Sales Engineer or your nearest distributor.



| Model | Torque Range (Nm) | Suitable Bolt (mm) | Drive Shaft | L1 (mm) | L2 (mm) | L3 (mm) | H1 (mm) | H2 (mm) | H3 (mm) | H4 (mm) | R1 (mm) | Weight (Kg) |
|--------|---------------------|----------------------|-------------|---------|---------|---------|---------|---------|---------|---------|---------|---------------|
| DHT-1 | 194-1938 | 16-36 | 3/4 " | 130 | 102 | 182 | 52 | 77 | 96 | 133 | 8 | 2 |
| DHT-3 | 460-4606 | 22-48 | 1 " | 170 | 140 | 249 | 70 | 97 | 127 | 165 | 34.8 | 4 |
| DHT-5 | 768-7680 | 27-56 | 1-1/2 " | 202 | 160 | 286 | 81 | 125 | 149 | 184 | 39.8 | 7 |
| DHT-8 | 1100-11002 | 30-64 | 1-1/2 " | 228 | 184 | 326 | 90 | 134 | 172 | 207 | 46.8 | 10.6 |
| DHT-10 | 1583-15835 | 36-72 | 1-1/2 " | 237 | 192 | 336 | 100 | 144 | 181 | 216 | 50.8 | 12.9 |
| DHT-20 | 2721-27208 | 42-90 | 2-1/2 " | 287 | 248 | 433 | 120 | 187 | 221 | 256 | 59.8 | 25 |
| DHT-25 | 3540-36445 | 48-100 | 2-1/2 " | 323 | 256 | 464 | 138 | 206 | 258 | 231 | 70.8 | 33.8 |
| DHT-35 | 7320-50285 | 64-120 | 2-1/2 " | 351 | 271 | 494 | 153 | 217 | 279 | 315 | 76.8 | 43 |
| DHT-50 | 10930-72860 | 90-以上 | 2-1/2 " | 376 | 295 | 528 | 162 | 226 | 291 | 326 | 78.8 | 52 |

*If you want an OEM special torque wrench in special situations, please contact KENNER sales engineer or the nearest distributor.

*Please identify Order No when you inquire for product.

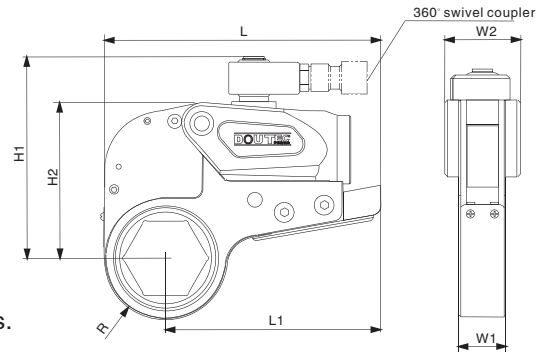


▲ Working Head

▲ Power Unit

Light Hollow Hydraulic Wrenches

- Pancake design ,made of strong and light space I material TITAL-919 alloy to improve the strength and life;
- Wide application range. One power unit head can be used with several working heads, add-on reducer inserts or inter-changeable cassettes, no need for special tools;
- 360° swivel hose coupler. Completely free of space restriction;
- Interchangeable working head covering all sizes, more safe;
- Ultra-light, ultra-thin and big torsion fit for various highly difficult spaces.



| Power Unit Model No. | Working Head Model No. | Torque Range (Nm) | A/S range (mm) | L (mm) | L1 (mm) | H1 (mm) | H2 (mm) | W1 (mm) | W2 (mm) | R (mm) | Weight (Kg) |
|----------------------|------------------------|---------------------|------------------|----------|-----------|-----------|-----------|-----------|-----------|----------|---------------|
| DH-01 | C-46 | 180-1820 | 24-46 | 190 | 124 | 128 | 68 | 30 | 50 | 38 | 1.6 |
| DH-02 | C-50 | 227-2266 | 27-50 | 205 | 147 | 142 | 100 | 32 | 50 | 41 | 2.2 |
| DH-05 | C-65 | 518-5188 | 27-65 | 251 | 188 | 176 | 136 | 41 | 65 | 53 | 5.0 |
| DH-10 | C-90 | 986-9855 | 50-90 | 302 | 233 | 204 | 166 | 53 | 85 | 68 | 9.6 |
| DH-18 | C-115 | 1720-17202 | 85-115 | 367 | 283 | 236 | 196 | 64 | 99 | 85 | 16.8 |
| DH-24 | C-135 | 2307-23072 | 95-135 | 400 | 308 | 209 | 224 | 70 | 110 | 98 | 22 |
| DH-40 | C-155 | 4064-40639 | 100-155 | 457 | 364 | 395 | 265 | 84 | 132 | 115 | 38 |

Backstop Wrench

Features:

- High-strength industry design, scientific and safe;
- All are mechanic, not hydraulic;
- Lock structure is simple and easy to release;
- Comfortable handle and skid-proof reaction arm;
- Changeable working head, suitable nut range 19mm – 80mm;
- Simple button enables to change working head quickly;
- Can prevent the shaft from turning with nut, quite different from the old ones which needed a pad.



| Metric (mm) | | | | | | | | | | | | | | | | |
|---------------|-----------|-------|-------|-------|-----------|-------|-------|-------|-----------|-------|-------|-------|-----------|-------|-------|-------|
| | DCM19-27S | | | | DCM30-41S | | | | DCM46-60S | | | | DCM65-80S | | | |
| Model | DC-19 | DC-22 | DC-24 | DC-27 | DC-30 | DC-32 | DC-36 | DC-41 | DC-46 | DC-50 | DC-55 | DC-60 | DC-65 | DC-70 | DC-75 | DC-80 |
| A/F | 19 | 22 | 24 | 27 | 30 | 32 | 36 | 41 | 46 | 50 | 55 | 60 | 65 | 70 | 75 | 80 |

| Standard size (inch) | | | | | | | | | | | | | | |
|------------------------|----------|--------|--------|----------|--------|--------|--------|----------|--------|--------|----------|--------|---------|--------|
| | DCM-102S | | | DCM-110S | | | | DCM-209S | | | DCM-302S | | | |
| Model | DC-012 | DC-014 | DC-100 | DC-102 | DC-104 | DC-107 | DC-110 | DC-200 | DC-203 | DC-206 | DC-209 | DC-212 | DC-215 | DC-302 |
| A/F | 3/4 | 7/8 | 1 | 1 1/8 | 1 1/4 | 1 7/16 | 1 5/8 | 2 | 2 3/16 | 2 3/8 | 2 9/16 | 2 3/4 | 2 15/16 | 3 1/8 |

Torque Pump

- Working pressure:60~700bar;
- Light weight with AL material outside;
- 2-stage pump, quick retract and high efficiency;
- High efficient air cooling system for long time working;
- Can be operated by remote control.



| Model No. | Max. Pressure (Bar) | Max. Flow (L/min) | Power | Motor (KVA) | Remote Cable (Standard) | Cooling System | Wrench Qty. | Weight (Kg) |
|-----------|---------------------|-------------------|-----------|-------------|---------------------------|----------------|-------------|---------------|
| TSP-301 | 700 | 60bar-4.2 | 230V 50Hz | 0.75 | 6m | Air | 1 | 26 |
| TSP-302 | 700 | 60bar-8.2 | 230V 50Hz | 1.1 | 6m | Air | 2 | 34 |
| TSP-304 | 700 | 60bar-12.1 | 230V 50Hz | 1.5 | 6m | Air | 4 | 38 |



For special socket, pls contact DOU TEC sales engineer or nearest distributor.

High-pressure hose for hydraulic wrench



| Moder No. (single hose) | Length (m) | Working pressure(bar) | Breaking pressure(bar) | Weight (kg) |
|-------------------------|------------|-----------------------|------------------------|-------------|
| HOSE-4D | 4 | 700 | 2800 | 1.5 |
| HOSE-6D | 6 | 700 | 2800 | 2 |
| HOSE-9D | 9 | 700 | 2800 | 3 |

| Moder No. (twin hose) | Length (m) | Working pressure(bar) | Breaking pressure(bar) | Weight (kg) |
|-----------------------|------------|-----------------------|------------------------|-------------|
| HOSE-4D2 | 4 | 700 | 2800 | 3 |
| HOSE-6D2 | 6 | 700 | 2800 | 4 |
| HOSE-9D2 | 9 | 700 | 2800 | 6 |

Best Solutions



Refer to our website for global distributors

DOUTEC^{POWER} Authorized Distributor

www.doutec-power.de

Model and specifications may be changed without prior notice.
DOU TEC has the right for final explanations.